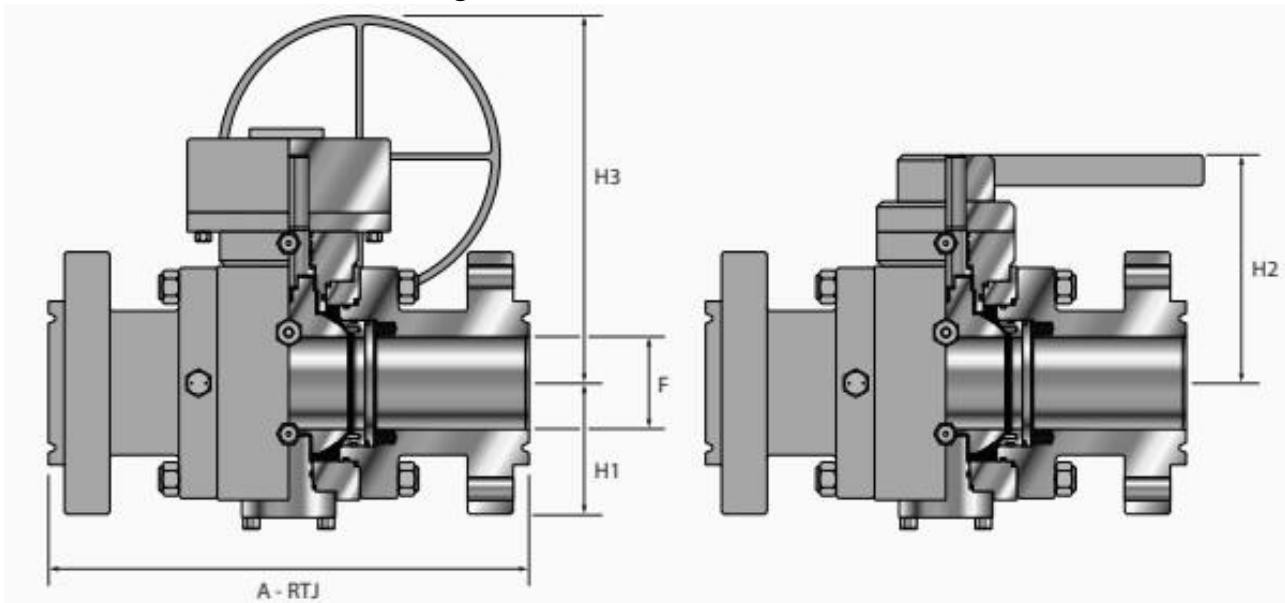


## 3000 PSI Ball Valve:

### 3000 PSI Ball Valve Specifications:

- Threaded ends
- 6000 WOG
- 1/4" to 1-1/2": Full Port, 2": Standard Port
- Gasket is placed ahead of the body cap threads, providing a tight seal and protection of threads from flow media.
- Vented ball equalizes pressure between the body cavity and the flow stream to prevent seat damage due to thermal cycling.
- Basic design complies with ANSI B16.34 & EN 12516-1. NPT threaded ends comply with ANSI B1.20.1.
- Rc, Rp & G threaded ends comply with BS 21/2779, JIS B-0203/0202, DIN 259/2999, ISO 228-1, AS 1722. 1/1722.2 are upon request.
- Threaded ends that comply with BS 21/2779, JIS B-0203/0202, DIN 259/2999, ISO 228-1, AS 1722. 1/1722.2 are available upon request.
- Tested according to API 598.

### 3000# Ball Valve Pressure Rating:

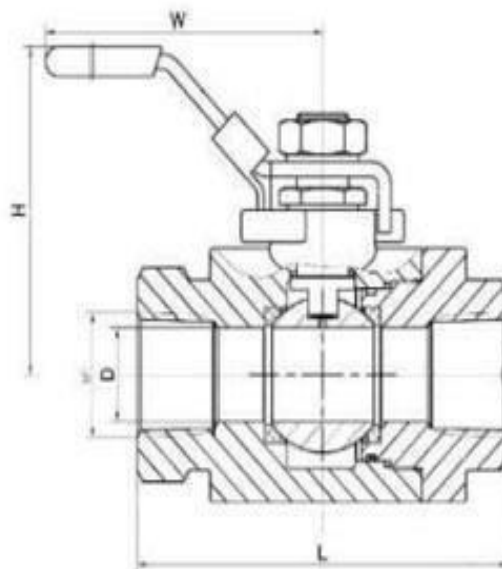


|                 |     |        |       |        |       |       |       |      |
|-----------------|-----|--------|-------|--------|-------|-------|-------|------|
| <b>3000 PSI</b> | NPS | 2-1/16 | 2.09  | 14.625 | 4.44  | 7.28  | 10.90 | 119  |
|                 | NPS | 2-9/16 | 2.59  | 15.125 | 5.22  | 8.06  | 11.64 | 139  |
|                 | NPS | 3-1/8  | 3.22  | 15.125 | 5.56  | 9.47  | 13.05 | 178  |
|                 | NPS | 4-1/16 | 4.28  | 18.125 | 6.50  | 10.34 | 13.92 | 319  |
|                 | NPS | 7-1/16 | 5.16  | 24.125 | 8.69  | 12.97 | 16.55 | 697  |
|                 | NPS | 9      | 7.16  | 29.125 | 10.38 | 15.58 | 19.10 | 1547 |
|                 | NPS | 11     | 11.03 | 33.125 | 12.13 | 17.41 | 21.74 | 1846 |
|                 | NPS | 13-5/8 | 13.66 | 38.125 | 13.88 | 19.47 | 23.80 | 2593 |

Buy Parker and Rolex Metal alternative 3000 psiball valve at factory price in India.  
 3000 Psi Ball Valve Price In India :

| Product                                     | PriceperEach |
|---|--------------|
| 1/4"2-PcFullPortCs3000#BallValveFemaleNpt   | \$56.34      |
| 3/8"2-PcFullPortCs3000#BallValveFemaleNpt   | \$56.34      |
| 1/2"2-PcFullPortCs3000#BallValveFemaleNpt   | \$59.61      |
| 3/4"2-PcFullPortCs3000#BallValveFemaleNpt   | \$79.41      |
| 1"2-PcFullPortCs3000#BallValveFemaleNpt     | \$123.91     |
| 1-1/4"2-PcFullPortCs3000#BallValveFemaleNpt | \$172.39     |
| 1-1/2"2-PcFullPortCs3000#BallValveFemaleNpt | \$249.48     |
| 2"2-PcStandardPortCs3000#BallValveFemaleNpt | \$285.17     |

### 3000PSI Ball Valve Dimensions:



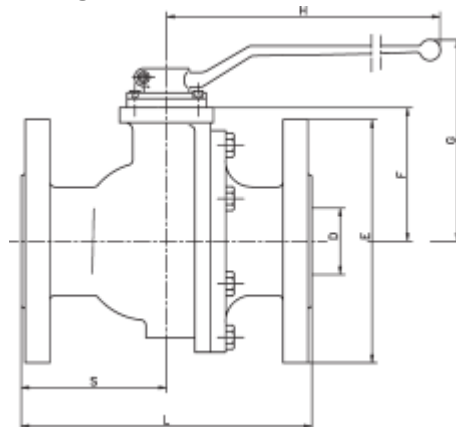
### Dimensions:

| Part #    | PSI   | Size (inches) | D (Ø) | L    | H    | W     |
|-----------|-------|---------------|-------|------|------|-------|
| VBC6K-025 | 6,000 | 1/4"          | 0.23  | 2.99 | 2.20 | 4.92  |
| VBC6K-038 | 6,000 | 3/8"          | 0.32  | 2.99 | 2.20 | 4.92  |
| VBC6K-050 | 6,000 | 1/2"          | 0.51  | 4.02 | 2.20 | 4.72  |
| VBC6K-075 | 6,000 | 3/4"          | 0.75  | 4.25 | 2.72 | 6.30  |
| VBC6K-100 | 6,000 | 1"            | 0.99  | 4.53 | 3.50 | 7.95  |
| VBC6K-150 | 6,000 | 1 1/2"        | 1.50  | 5.24 | 4.49 | 9.06  |
| VBC6K-200 | 6,000 | 2"            | 1.89  | 6.06 | 4.72 | 10.24 |

### 3,000PSI WP Floating Ball Valve Sizes:

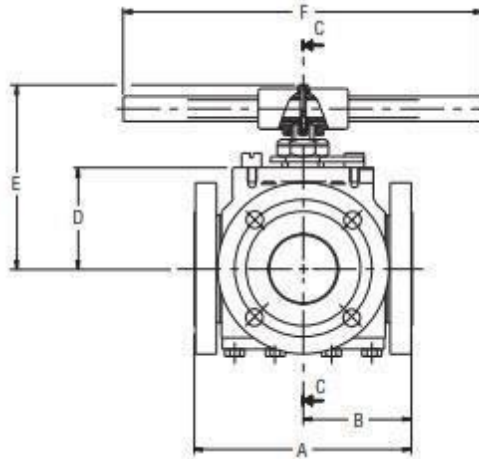
|               | Bore Size | Flange Class               | Bore Size Diameter | 2 Piece Design |                                    | 3 Piece Design |                                    | Standard                     |               |
|---------------|-----------|----------------------------|--------------------|----------------|------------------------------------|----------------|------------------------------------|------------------------------|---------------|
|               |           |                            |                    | Operation      | Face-to-Face Length <sup>(3)</sup> | Operation      | Face-to-Face Length <sup>(3)</sup> | Seat Material <sup>(4)</sup> | Ball Material |
| Floating Ball | 1"        | 150                        | 1"<br>25 mm        | Lever          | MS                                 | Lever          | MS                                 | PTFE                         | Duplex        |
|               |           | 300                        |                    |                | ASME B16.10 <sup>(2)</sup>         |                |                                    |                              |               |
|               |           | 600                        |                    |                |                                    |                |                                    |                              |               |
|               |           | 900 / 1,500 <sup>(1)</sup> |                    |                |                                    |                |                                    |                              |               |
|               |           | 2,500                      |                    |                |                                    |                |                                    |                              |               |
|               | 1 1/2"    | 150                        | 1 1/2"<br>38 mm    | Lever          | MS                                 | Lever          | MS                                 | PTFE                         | Duplex        |
|               |           | 300                        |                    |                | ASME B16.10 <sup>(2)</sup>         |                |                                    |                              |               |
|               |           | 600                        |                    |                |                                    |                |                                    |                              |               |
|               |           | 900 / 1,500 <sup>(1)</sup> |                    |                |                                    |                |                                    |                              |               |
|               |           | 2,500                      |                    |                |                                    |                |                                    |                              |               |
|               | 2"        | 150                        | 2"<br>50 mm        | Lever          | MS                                 | Lever          | MS                                 | PTFE                         | Duplex        |
|               |           | 300                        |                    | ASME B16.10    |                                    |                |                                    |                              |               |
|               |           | 600                        |                    |                |                                    |                |                                    |                              |               |
|               |           | 900 / 1,500 <sup>(1)</sup> |                    |                |                                    |                |                                    |                              |               |
|               |           | 2,500                      |                    |                | Gearbox                            |                |                                    |                              |               |

### 3,000PSI Full Bore-Floating & Guided Ball Valve Dimensions:



| NPS    | Class 150 & 300 |     |     |     |     |     |     |     |     |     |          | Class 600 |     |    |     |     |     | Gearbox  |     |     |     |     |
|--------|-----------------|-----|-----|-----|-----|-----|-----|-----|-----|-----|----------|-----------|-----|----|-----|-----|-----|----------|-----|-----|-----|-----|
|        | D               | L   |     | E   |     | F   | G   | H   | S   |     | ISO 5211 | L         | E   | F  | G   | H   | S   | ISO 5211 | J   | M   | N   | K   |
|        |                 | 150 | 300 | 150 | 300 |     |     |     | 150 | 300 |          |           |     |    |     |     |     |          |     |     |     |     |
| 1/2"   | 15              | 108 | 140 | 89  | 95  | 52  | 105 | 185 | 47  | 64  | F05s     | 165       | 95  | 61 | 112 | 185 | 68  | F05      | -   | -   | -   | -   |
| 3/4"   | 20              | 117 | 152 | 99  | 118 | 54  | 107 | 185 | 52  | 76  | F05s     | 190       | 120 | 61 | 112 | 185 | 84  | F05      | -   | -   | -   | -   |
| 1"     | 25              | 127 | 165 | 108 | 124 | 60  | 113 | 185 | 56  | 70  | F05      | 216       | 125 | 61 | 112 | 185 | 96  | F05      | -   | -   | -   | -   |
| 1 1/2" | 40              | 165 | 191 | 127 | 156 | 75  | 145 | 300 | 77  | 78  | F07      | 241       | 456 | 76 | 130 | 300 | 115 | F07      | -   | -   | -   | -   |
| 2"     | 50              | 178 | 216 | 152 | 165 | 84  | 153 | 300 | 92  | 90  | F07      | 292       | 165 | 83 | 137 | 300 | 129 | F07      | -   | -   | -   | -   |
| 2 1/2" | 65              | 190 | 241 | 178 | 190 | 96  | 166 | 300 | 95  | 120 | F07      | 330       | 190 | 96 | 150 | 300 | 152 | F07      | -   | -   | -   | -   |
| 3"     | 80              | 203 | 283 | 191 | 210 | 114 | 205 | 355 | 101 | 142 | F10      | -         | -   | -  | -   | -   | -   | -        | -   | -   | -   | -   |
| 4"     | 100             | 229 | 305 | 229 | 254 | 128 | 220 | 355 | 114 | 152 | F10      | -         | -   | -  | -   | -   | -   | -        | -   | -   | -   | -   |
| 6"     | 150             | 394 | 403 | 279 | 318 | 175 | 284 | 680 | 165 | 211 | F12      | -         | -   | -  | -   | -   | -   | -        | 295 | 287 | 71  | 400 |
| 8"     | 200             | 457 | 502 | 343 | 381 | 245 | 362 | 750 | 228 | 251 | F14      | -         | -   | -  | -   | -   | -   | -        | 377 | 305 | 86  | 500 |
| 10"    | 250             | 533 | 568 | 406 | 445 | 285 | -   | -   | 270 | 283 | F14      | -         | -   | -  | -   | -   | -   | -        | 417 | 305 | 86  | 500 |
| 12"    | 300             | 610 | 648 | 483 | 521 | 336 | -   | -   | 305 | 324 | F14      | -         | -   | -  | -   | -   | -   | -        | 474 | 346 | 104 | 500 |

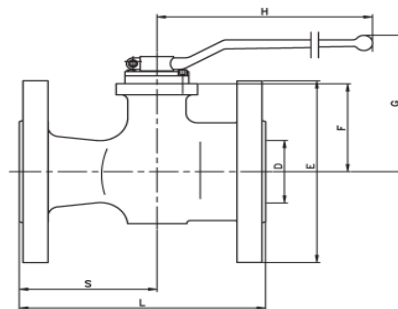
### 3000PSI 3Way Ball Valve Dimensions:



inches / millimeters

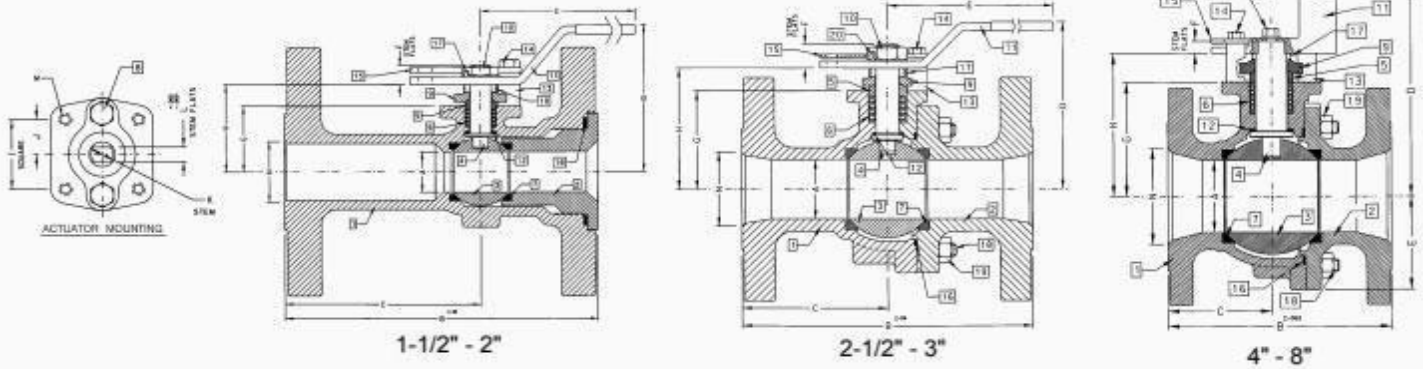
| Valve size | A              |                | B              |                | C              |                | D    | E     | F     | G     | H    | J    | K    | L    | Port Dia. | M     | N    |
|------------|----------------|----------------|----------------|----------------|----------------|----------------|------|-------|-------|-------|------|------|------|------|-----------|-------|------|
|            | ANSI Class 150 | ANSI Class 300 | ANSI Class 150 | ANSI Class 300 | ANSI Class 150 | ANSI Class 300 |      |       |       |       |      |      |      |      |           |       |      |
| 1"         | 5.00           | 6.50           | 2.50           | 3.25           | 2.95           | 3.25           | 1.72 | 4.91  | 9.53  | 0.343 | 0.56 | ¼-20 | 1.39 | 1.39 | 0.95      | 2.85  | .59  |
|            | 127            | 165            | 63.5           | 82.6           | 74.9           | 82.6           | 43.7 | 125   | 242   | 8.7   | 14.2 |      | 35.3 | 35.3 | 24.1      | 72.4  | 15.0 |
| 1½"        | 6.50           | 7.50           | 3.25           | 3.75           | 3.25           | 4.13           | 2.72 | 5.97  | 10.00 | 0.551 | 0.79 | M8   | 2.75 | 1.25 | 1.46      | 4.36  | .73  |
|            | 165            | 191            | 82.6           | 95.3           | 82.6           | 105            | 69.1 | 152   | 254   | 14.0  | 20.1 |      | 69.9 | 31.8 | 37.1      | 111   | 18.5 |
| 2"         | 8.00           | 8.50           | 4.00           | 4.25           | 4.00           | 4.25           | 3.08 | 6.33  | 10.00 | 0.551 | 0.79 | M8   | 2.75 | 1.25 | 1.93      | 5.31  | .73  |
|            | 203            | 216            | 102            | 108            | 102            | 108            | 78.2 | 161   | 254   | 14.0  | 20.1 |      | 69.9 | 31.8 | 49.0      | 135   | 18.5 |
| 3"         | 9.50           | 11.14          | 4.75           | 5.57           | 4.75           | 5.57           | 4.44 | 7.87  | 24.00 | 0.745 | 0.88 | M10  | 3.38 | 1.75 | 2.95      | 6.28  | .65  |
|            | 241            | 283            | 121            | 142            | 121            | 142            | 113  | 190   | 610   | 18.9  | 22.4 |      | 85.9 | 44.5 | 74.9      | 160   | 16.5 |
| 4"         | 12.00          | 12.00          | 6.00           | 6.00           | 6.00           | 6.89           | 5.91 | 10.83 | 28.5  | 1.120 | 1.39 | M12  | 4.00 | 3.00 | 3.86      | 8.58  | 1.03 |
|            | 305            | 305            | 152            | 153            | 152            | 175            | 150  | 275   | 724   | 28.4  | 35.3 |      | 102  | 76.2 | 98.0      | 218   | 26.2 |
| 6"         | 15.50          | 15.88          | 7.75           | 7.94           | 7.75           | 7.94           | 7.36 | 12.28 | 28.50 | 1.120 | 1.39 | M12  | 4.00 | 3.00 | 5.83      | 10.03 | 1.03 |
|            | 394            | 403            | 197            | 202            | 197            | 202            | 187  | 312   | 724   | 28.4  | 35.3 |      | 102  | 76.2 | 148       | 255   | 26.2 |

### 3000Psi Reduced Bore Ball Valve Dimensions:

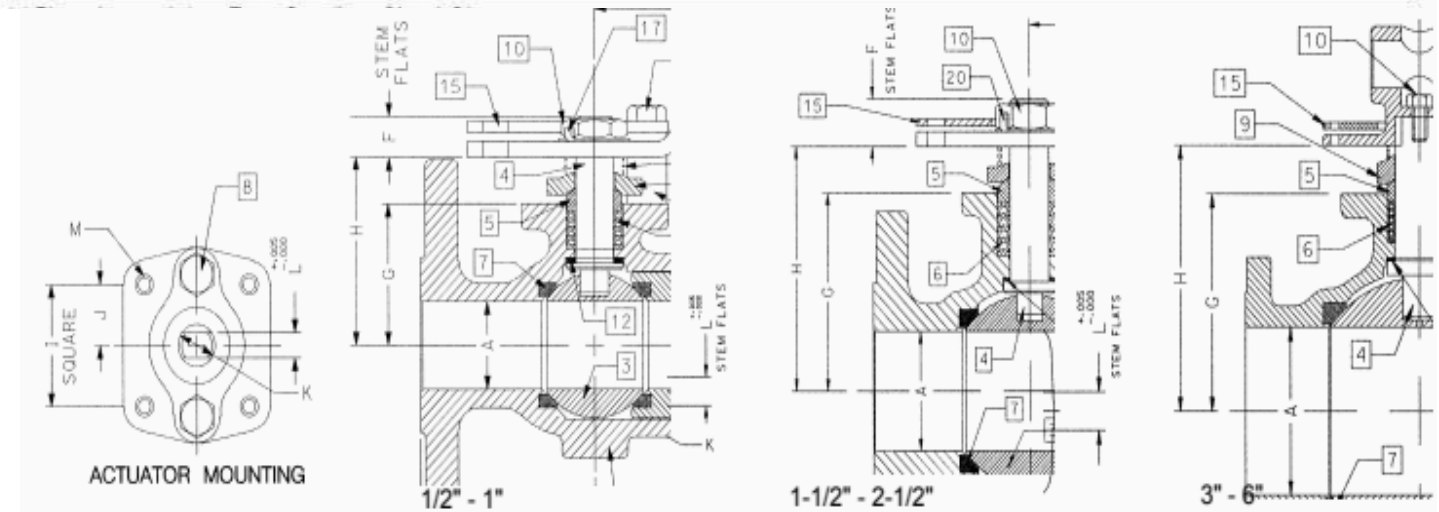


| NPS         | D   | L   |     | E   |     | F   | G   | H   | S   |     | ISO 5211 | G. box |     |    |     | Weight (kg) |     |       |
|-------------|-----|-----|-----|-----|-----|-----|-----|-----|-----|-----|----------|--------|-----|----|-----|-------------|-----|-------|
|             |     | 150 | 300 | 150 | 300 |     |     |     | 150 | 300 |          | J      | M   | N  | K   | 150         | 300 | G.box |
| 1/2" x 1/4" | 10  | 108 | -   | 89  | -   | 43  | 91  | 185 | 61  | -   | F05s     | -      | -   | -  | -   | 2           | 2.5 | -     |
| 3/4" x 1/2" | 15  | 117 | 152 | 99  | 118 | 46  | 94  | 185 | 57  | 92  | F05s     | -      | -   | -  | -   | 2.5         | 3.6 | -     |
| 1" x 3/4"   | 20  | 127 | 165 | 108 | 124 | 54  | 102 | 185 | 72  | 104 | F05s     | -      | -   | -  | -   | 3.5         | 4.8 | -     |
| 1 1/2" x 1" | 32  | 165 | 191 | 127 | 156 | 65  | 118 | 185 | 93  | 118 | F05      | -      | -   | -  | -   | 5.5         | 9   | -     |
| 2" x 1 1/2" | 40  | 178 | 216 | 152 | 165 | 75  | 145 | 300 | 108 | 146 | F07      | -      | -   | -  | -   | 9           | 12  | -     |
| 3" x 2"     | 65  | 203 | 283 | 191 | 210 | 96  | 166 | 300 | 123 | 203 | F07      | -      | -   | -  | -   | 17          | 25  | -     |
| 4" x 3"     | 80  | 229 | 305 | 229 | 254 | 114 | 205 | 355 | 137 | 203 | F10      | -      | -   | -  | -   | 25          | 39  | -     |
| 6" x 4"     | 100 | 267 | 403 | 279 | 318 | 148 | 257 | 680 | 147 | 283 | F12      | -      | -   | -  | -   | 46          | 75  | -     |
| 8" x 6"     | 144 | 292 | 419 | 343 | 381 | 172 | 281 | 680 | 157 | 284 | F12      | -      | -   | -  | -   | 80          | 118 | -     |
| 10" x 8"    | 187 | 330 | -   | 406 | -   | 237 | -   | -   | 170 | -   | F14      | 369    | 305 | 86 | 500 | 124         | -   | 20    |
| 12" x 10"   | 235 | 356 | -   | 483 | -   | 266 | -   | -   | 178 | -   | F14      | 398    | 305 | 86 | 500 | 196         | -   | 20    |

### 3000# Full Port Flange Ball Valve Dimensions:



| DIMENSIONS Standard Port |            |      |       |      |       |      |      |      |      |       |       |      |       |         |      |       |
|--------------------------|------------|------|-------|------|-------|------|------|------|------|-------|-------|------|-------|---------|------|-------|
| Part No.*                | Size (In.) | A    | B     | C    | D     | E    | F    | G    | H    | I     | J     | K    | L     | M       | N    | WT.   |
| 87A/88A-107              | 1-1/2      | 1.25 | 6.50  | 3.69 | 3.62  | 6.03 | 0.47 | 1.62 | 2.15 | 1.392 | 0.696 | 0.50 | 0.287 | 1/4-20  | 1.50 | 09.0  |
| 87A/88A-108              | 2          | 1.50 | 7.00  | 3.69 | 4.62  | 6.65 | 0.72 | 2.41 | 3.09 | 1.949 | 0.974 | 0.62 | 0.412 | 5/16-18 | 2.00 | 18.0  |
| 87A/88A-109              | 2-1/2      | 2.00 | 7.50  | 3.50 | 5.61  | 8.40 | 0.80 | 3.31 | 4.08 | 1.949 | 0.974 | 0.75 | 0.477 | 5/16-18 | 2.50 | 27.0  |
| 87A/88A-100              | 3          | 2.50 | 8.00  | 3.51 | 6.23  | 8.40 | 0.80 | 3.93 | 4.70 | 1.949 | 0.974 | 0.75 | 0.477 | 5/16-18 | 3.00 | 34.0  |
| 87A/88A-10A              | 4          | 3.00 | 9.00  | 4.18 | 8.80  | 3.88 | 0.50 | 4.75 | 5.95 | 2.840 | 1.420 | 1.25 | 0.725 | 3/8-16  | 4.00 | 73.0  |
| 87A/88A-10C              | 6          | 4.00 | 10.50 | 4.69 | 9.99  | 5.13 | 5.50 | 5.94 | 7.13 | 2.840 | 1.420 | 1.25 | 0.725 | 3/8-16  | 6.00 | 117.0 |
| 87A/88A-10E              | 8          | 6.00 | 18.00 | 9.00 | 13.73 | 7.00 | 1.00 | 7.75 | 9.48 | 4.596 | 2.298 | 2.00 | 1.375 | 3/4-10  | 8.00 | 310.0 |



| DIMENSIONS Full Port |            |      |      |      |      |      |      |      |      |       |       |      |       |         |      |  |
|----------------------|------------|------|------|------|------|------|------|------|------|-------|-------|------|-------|---------|------|--|
| Part No.*            | Size (In.) | A    | B    | C    | D    | E    | F    | G    | H    | I     | J     | K    | L     | M       | WT.  |  |
| 87A/88A-203          | 1/2        | 0.50 | 4.25 | 2.06 | 3.28 | 5.14 | 0.30 | 1.09 | 1.38 | 1.002 | 0.501 | 0.37 | 0.245 | 10-24   | 5.0  |  |
| 87A/88A-204          | 3/4        | 0.75 | 4.62 | 2.18 | 3.89 | 5.56 | 0.39 | 1.65 | 1.96 | 1.392 | 0.696 | 0.50 | 0.287 | 1/4-20  | 6.0  |  |
| 87A/88A-205          | 1          | 1.00 | 5.00 | 2.32 | 3.62 | 6.03 | 0.47 | 1.62 | 2.15 | 1.392 | 0.696 | 0.50 | 0.287 | 1/4-20  | 7.0  |  |
| 87A/88A-207          | 1-1/2      | 1.50 | 6.50 | 3.00 | 4.62 | 6.65 | 0.72 | 2.41 | 3.09 | 1.949 | 0.974 | 0.62 | 0.412 | 5/16-18 | 14.0 |  |
| 87A/88A-208          | 2          | 2.00 | 7.00 | 3.04 | 5.61 | 8.40 | 0.80 | 3.31 | 4.08 | 1.949 | 0.974 | 0.75 | 0.477 | 5/16-18 | 25.0 |  |
| 87A/88A-209          | 2-1/2      | 2.50 | 7.50 | 3.34 | 6.23 | 8.40 | 0.80 | 3.93 | 4.70 | 1.949 | 0.974 | 0.75 | 0.477 | 5/16-18 | 30.0 |  |
| 87A/88A-200          | 3          | 3.00 | 8.00 | 3.68 | 8.80 | 3.88 | 0.50 | 4.75 | 5.95 | 2.840 | 1.420 | 1.25 | 0.725 | 3/8-16  | 60.0 |  |
| 87A/88A-20A          | 4          | 4.00 | 9.00 | 3.94 | 9.99 | 5.13 | 0.50 | 5.94 | 7.13 | 2.840 | 1.420 | 1.25 | 0.725 | 3/8-16  | 91.0 |  |

3000PSI 3Way Ball Valve Dimensions:

| Size(INCH) | 1"   | 1-1/2" | 2"    | 2-1/2" | 3"    | 4"    | 5"    | 6"    | 8"    | 10"   | 12"   |
|------------|------|--------|-------|--------|-------|-------|-------|-------|-------|-------|-------|
| Size(DN)   | 25   | 40     | 50    | 65     | 80    | 100   | 125   | 150   | 200   | 250   | 300   |
| FtoF       | 165  | 215    | 245   | 263    | 284   | 336   | 400   | 450   | 600   | 730   | 880   |
| FlangeO.D. | 108  | 127    | 152.4 | 177.8  | 190.5 | 228.6 | 254   | 279   | 343   | 406   | 483   |
| FlangePCD  | 79.3 | 98.4   | 120.6 | 139.7  | 152.4 | 190.5 | 215.9 | 241.3 | 298.4 | 362   | 431.8 |
| R.F.Dia.   | 50.8 | 73     | 92.1  | 104.7  | 127   | 157.2 | 185.6 | 215.9 | 269.9 | 323.8 | 381   |
| No.ofHole  | 04   | 04     | 04    | 04     | 04    | 08    | 08    | 08    | 08    | 12    | 12    |
| HoleDia.   | 15.8 | 15.8   | 15.8  | 19     | 19    | 19    | 19    | 22.2  | 22.2  | 25.4  | 25.4  |



3000PSI Stainless Steel Ball Valve



3000PSI Hydraulic Ball Valve



3000PSI CWPM Manual Ball Valves



3,000PSI WPF Floating Ball Valves



Multi-Port 3000PSI Ball Valve



3000PSI 3-Way Ball Valve



3000PSI 4-Way Ball Valve



3000PSI 3-Piece Ball Valve